



## E18SW

18" Passive Subwoofer

### Entertainment Venues

House of Worship

Rental/Production

Mobile Performers

### Features

- High output, professional quality sound with 800 W continuous power
- E Series Entertainment System – Advanced digital signal processing tunings and options using QSC GXD, PLD amplifiers or TouchMix digital mixers.
- E Series Entertainment System DSP Tunings are now available for PLD, CXD and GXD processing amplifiers.
- Rugged tour-grade textured paint
- Foam-lined perforated steel grill
- Optional Padded Cover for protection during transportation
- Optional Caster Kit for greater portability
- E18SW includes speaker pole

### Specifications

Configuration	1 x 18-inch, subwoofer non-powered
Frequency Response (-6 dB)	37 Hz – 230 Hz
Frequency Range (-10 dB)	32 Hz – 230 Hz
Power Capacity <sup>2</sup> : Continuous/Peak	800 w / 3200 w
Sensitivity	98 dB, 1 w @ 1 m
Coverage Angle	N/A
Output <sup>1</sup> (Peak SPL @ 1m)	133 dB
Drivers	
LF	457 mm (18-inch) driver with 76 mm (3-inch) voice coil
HF	N/A
Nominal Impedance	4 Ω
Cross-over	N/A
Input Connectors	2 x NL4 1 x barrier strip
Enclosure	Trapezoidal, plywood, black texture paint finish. Two side mounted handles. Perforated, powder-coated steel grille with foam lining.
Net Weight	43 kg / 95 lb
Shipping Weight	48 kg / 106 lb

<sup>1</sup> With QSC Processing

<sup>2</sup> Power that the device can withstand for two hours without permanent change in acoustical, mechanical, or electrical characteristics, greater than 10%, using IEC60268 noise based on nominal impedance in the cabinet with Xover, full range 30 Hz 12 dB/oct.

Specifications are subject to change with out notice.

The E18sw is a high-performance passive subwoofer with a single, 800W, 18-inch, aluminum frame woofer. It's designed to produce crushing low-end for live performance bands and high-energy dance music. A threaded pole socket and speaker pole are provided for sub/satellite use with any of the E Series two-way models. For portable applications it includes attachment points for four optional casters. The subwoofer's 4-ohm impedance means that a single woofer can be optimally powered by a less expensive amplifier.



### E Series Loudspeakers

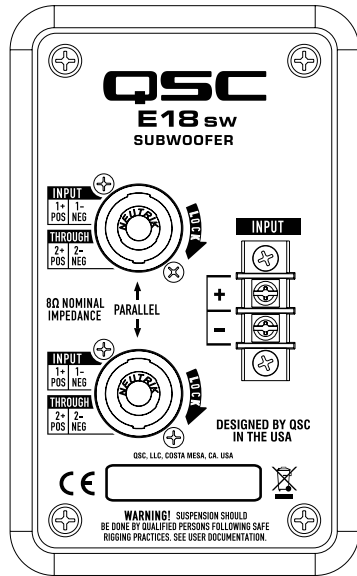
The E Series is a range of passive loudspeakers offering robust construction, trusted reliability and overall sonic performance beyond expectations. Intended for sound reinforcement in entertainment applications including live performance, DJ and dance music, karaoke and event production, E Series loudspeakers will deliver outstanding results. Building on QSC's proven "Systems" methodology, the E Series loudspeakers' performance is further enhanced when paired with QSC's GXD or PLD amplifiers or with a QSC TouchMix digital mixer, and taking advantage of the on-board DSP and factory-tuned presets. These presets support a variety of applications including live sound reinforcement (with and without subwoofers), stage monitoring, dance music and karaoke.

E Series consists of six models constructed of rugged plywood and coated in black, textured paint. Heavy-duty grilles lined with foam provide protection for the woofers and an elegant appearance. E10, E12 and E15 models are equipped with an all metal, dual-angle, 35mm socket that allows the speaker to be mounted vertically on a pole or angled down by 10° to improve audience coverage and reduce rear wall reflections. Multiple mounting options using E Series Yoke or M8 eyebolts are supported. Input connections include dual NL4 as well as screw terminal receptacles. Additionally, E215 and E218SW models feature ergonomic, aluminum handles to ease portability.

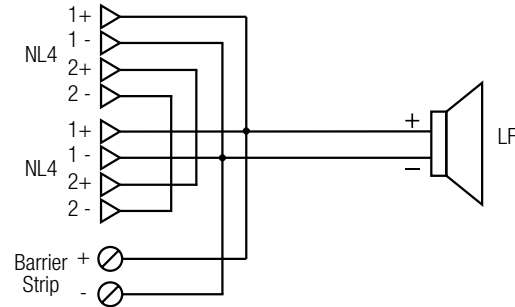


## E18SW Details

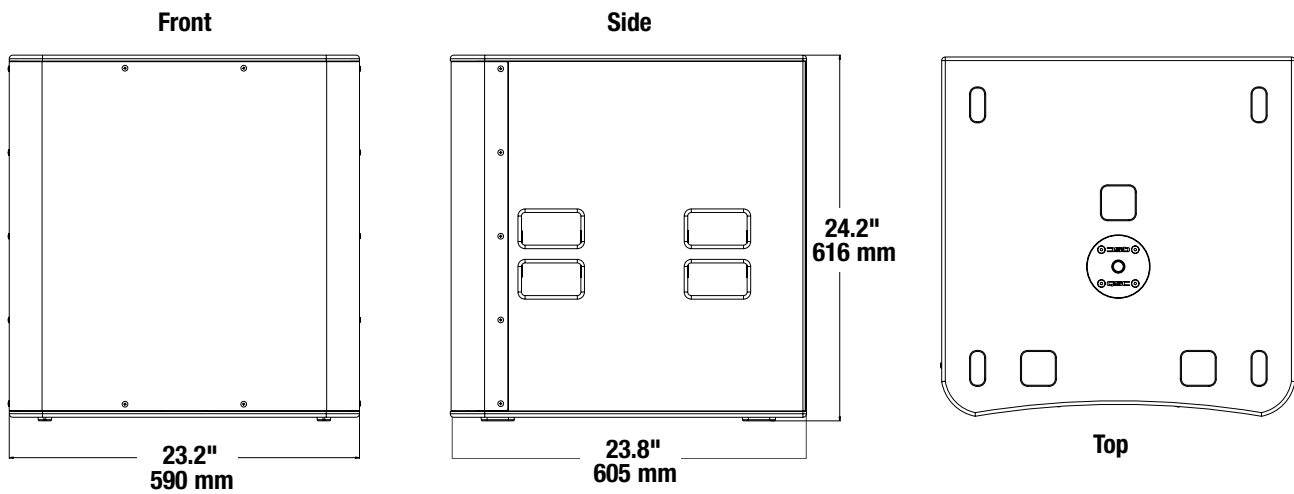
Input Plate



Block Diagram



## E18SW Dimensions



1675 MacArthur Boulevard, Costa Mesa, CA 92626 | Ph: 800/854-4079 or 714/957-7100 | Fax: 714/754-6174  
 ©2017 QSC, LLC all rights reserved. QSC, the QSC logo and TouchMix are registered trademarks of QSC, LLC in the U.S. Patent and Trademark office and other countries.  
 All other trademarks are the property of their respective owners. Patents may apply or be pending.